



# **ParKolor<sup>200HD</sup>**



**USER MANUAL**

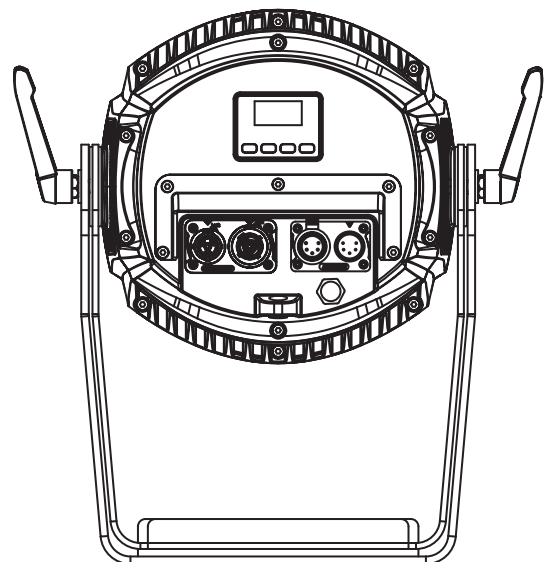
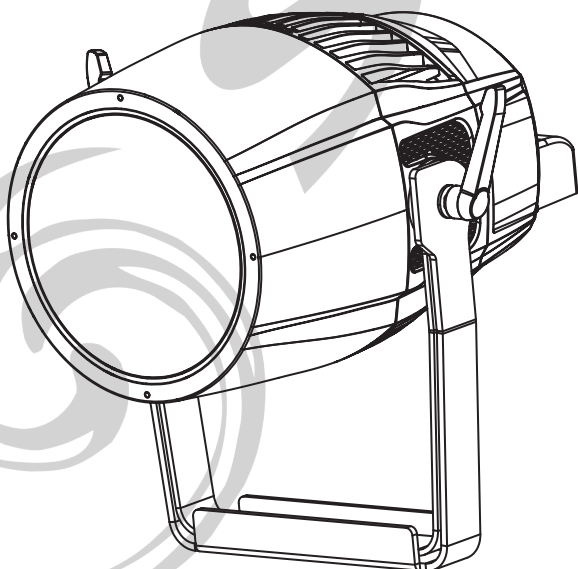
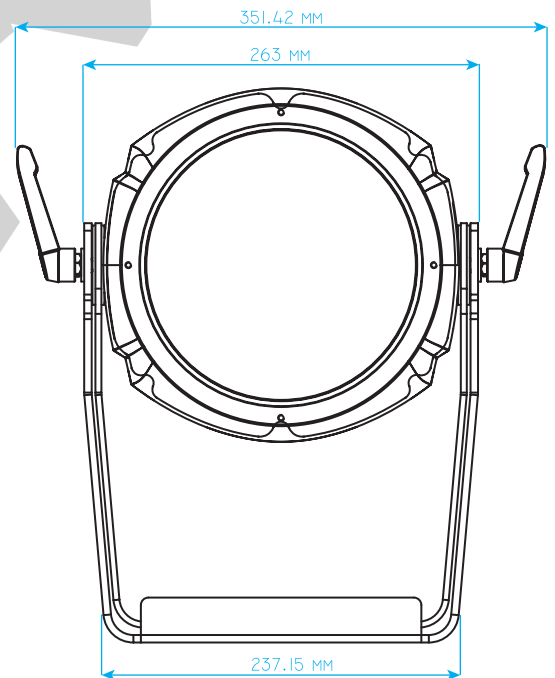
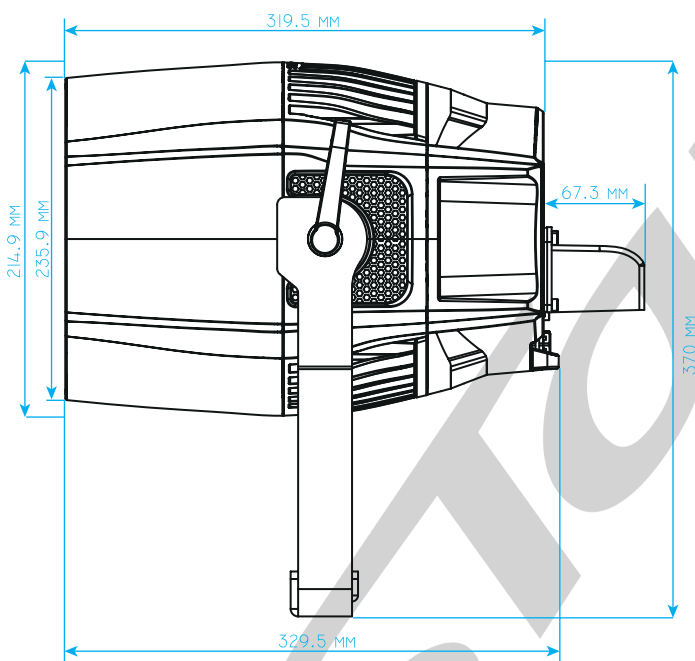
# Table of content

Technical Specifications .....	3
Dimensions .....	3
Regulation and Safety .....	4
Photometry.....	5
Installation .....	8
DMX 512 use.....	8
Menu Structure.....	9
Display .....	10
Menu.....	10
DMX map.....	13

## TECHNICAL SPECIFICATIONS :

- Led COB RGBW 180W
- Zoom 8 ° - 44.5 ° beam
- Max flux 4365 Lm (Zoom max)
- Protocols: DMX / RDM
- DMX modes: 6HSI/6RGB/7/10/15ch
- Auto / Static / Master-Slave
- BColor System
- White Macros : 10 from 2700 to 10,000 ° K
- DMX Connectors In / Out : 2 x XLR5 IP65
- Power Connectors In / Out : Seetronic IP65
- Removable connector protection cap
- Cooling :
  - 1 natural convection mode
  - 3 forced ventilation modes
- Dimensions L x P x H: 329.5 x 215 x 370mm
- Weight: 10.3Kg
- Max power: 200W

## DIMENSIONS :



## WARNING!



Before carrying out any operations with the unit, carefully read this instruction manual and keep it with care for future reference. It contains important information about the installation, usage and maintenance of the unit.



### SAFETY

#### GENERAL INSTRUCTION

- The products referred to in this manual conform to the European Community Directives and are therefore marked with CE:.
- The unit is supplied with hazardous network voltage (110/230V~). Leave servicing to skilled personnel only. Never make any modifications on the unit not described in this instruction manual, otherwise you will risk an electric shock.
- Connection must be made to a power supply system fitted with efficient earthing (Class I appliance according to standard EN 60598-1). It is, moreover, recommended to protect the supply lines of the units from indirect contact and/or shorting to earth by using appropriately sized residual current devices.
- The connection to the main network of electric distribution must be carried out by a qualified electrical installer. Check that the main frequency and voltage correspond to those for which the unit is designed as given on the electrical data label.
- Never use the fixture under the following conditions:
  - in places subject to vibrations or bumps;
  - in places with an ambient temperature of over 45° C.
- Make certain that no inflammable liquids, water or metal objects enter the fixture.
- Do not dismantle or modify the fixture.
- All work must always be carried out by qualified technical personnel. Contact the nearest sales point for an inspection or contact the manufacturer directly.
- If the unit is to be put out of operation definitively, take it to a local recycling plant for a disposal which is not harmful to the environment.

#### WARNINGS AND INSTALLATION PRECAUTIONS

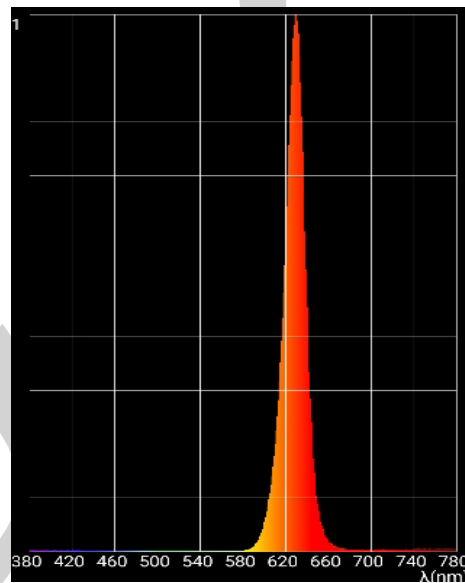
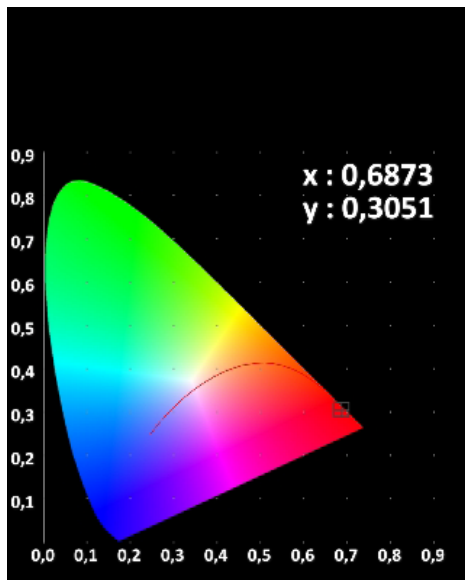
- Never let the power cord come into contact with other cables! Handle the power cord and all connections with the mains with particular caution!
- Never modify, bend, mechanically strain, put pressure on, pull or heat up the power cord.
- Never strain the cable. There must always be sufficient cable going to the device. Otherwise, the cable will be damaged, which can cause serious damage.
- Never remove warning or informative labels from the unit.
- Never use anything to cover the ground contact.
- Never lift the device holding it by the projector-head, as the mechanics may be damaged
- Do not shake the device. Avoid brute force when installing or operating the device.
- Only operate the device after having checked if the housing is firmly closed and all screws are tightly fastened.
- Only operate the device after having familiarized with its functions.
- Avoid flames and do not put close to flammable liquids or gases.
- Always allow a free air space of at least 0.8 m around the unit for ventilation.
- Always disconnect power from the mains, when device is not used or before cleaning! Only handle the power cord holding it by the plug. Never pull out the plug by tugging the power cord.

# Photometry

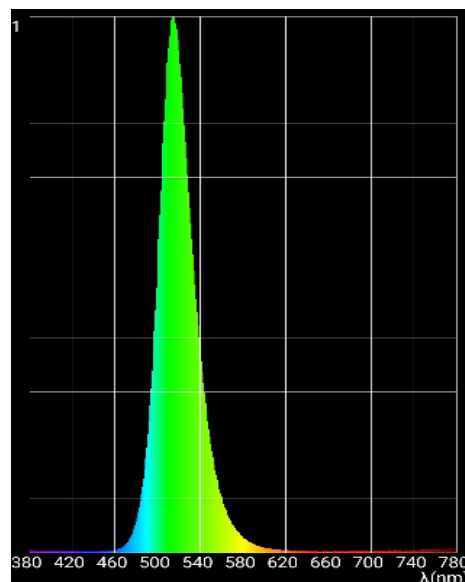
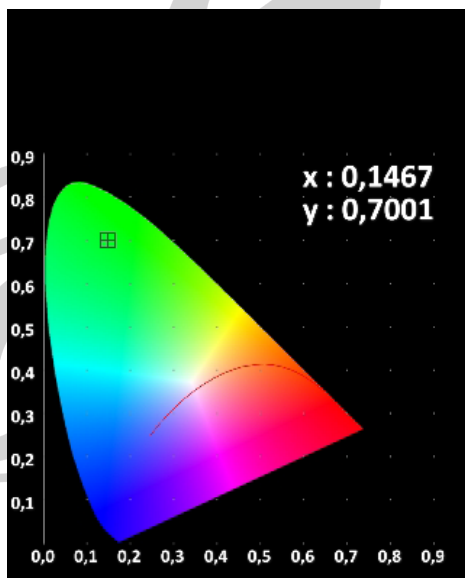
Distance 5 meters , Zoom Minimum		
Color	Wave lenght	Lux
Red	633 nm	965 lux
Green	516 nm	1175 lux
Blue	448 nm	355 lux
White	7650 K	1995 lux
All LEDs		4720 lux

MEASUREMENTS MADE WITH USPECTRUM MK3055

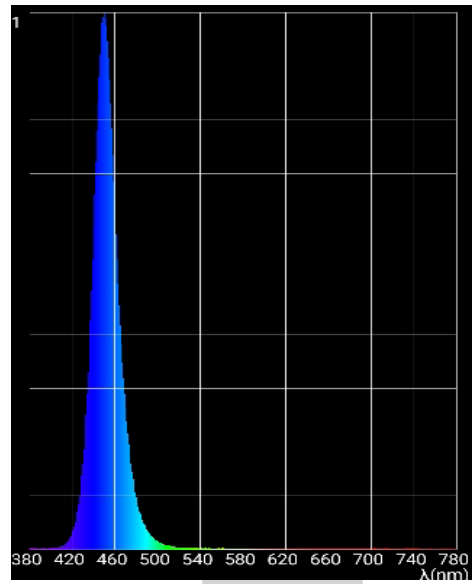
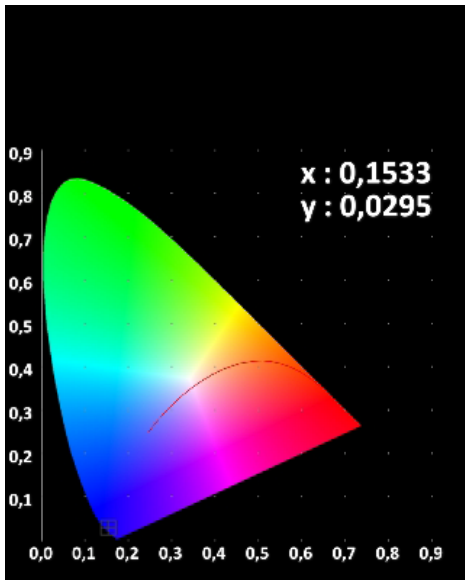
## Red LED



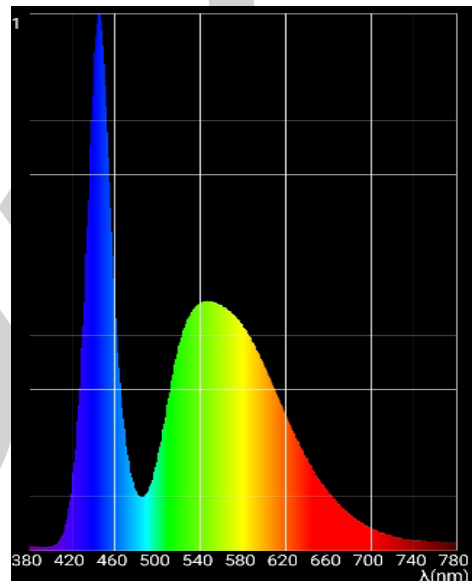
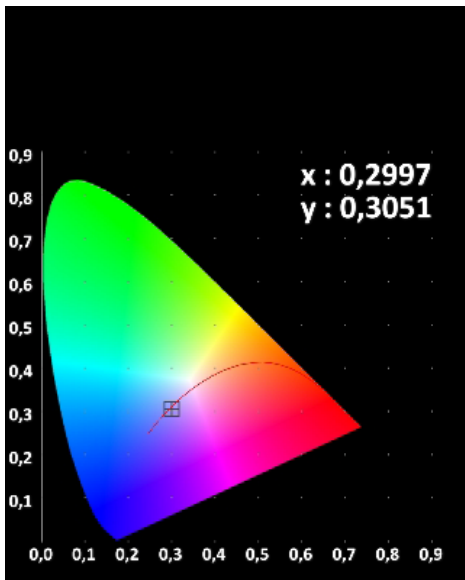
## Green LED



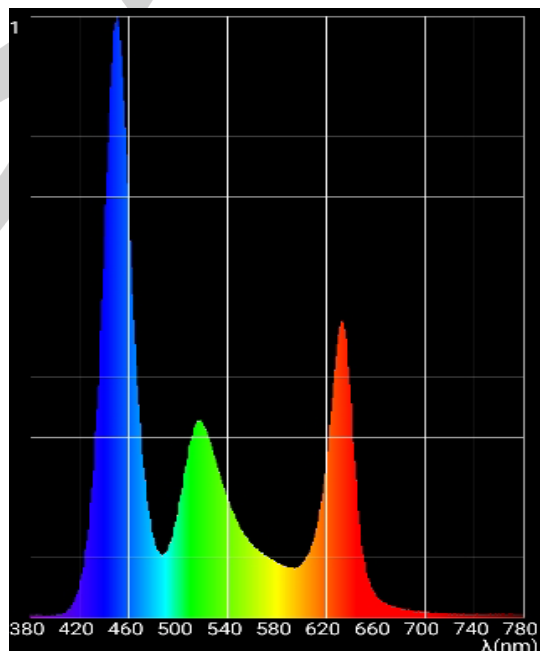
### Blue LED



### White LED



### RGBW





## Installation

### Setup :

The projector can be mounted in any position and at any angle.

When placed, the surface supporting it must be able to withstand at least 10 times the weight of the projector and must be stable enough not to cause damage to the projector, people or surrounding objects.

When the projector is hung, systematically and obligatorily remember to secure it with a safety chain.



### Electrical connection :

Under 230 VAC, 10 ParKolor 200HD can be connected with the IN and Out connectors.

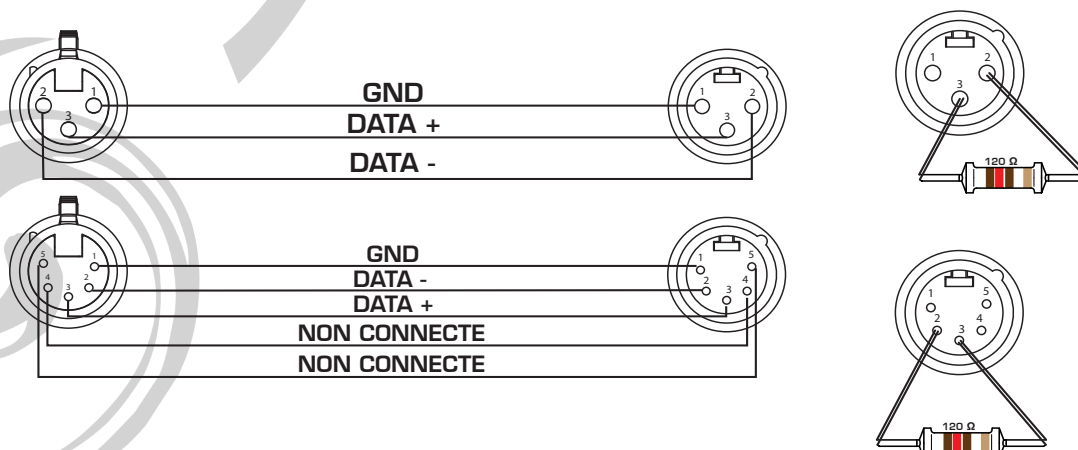
Under 110 VAC, 5 ParKolor 200HD can be connected with the IN and Out connectors.

### DMX512 use

The use of a DMX amplifier is necessary if you use more than 20 interconnected units or a line longer than 60 m.

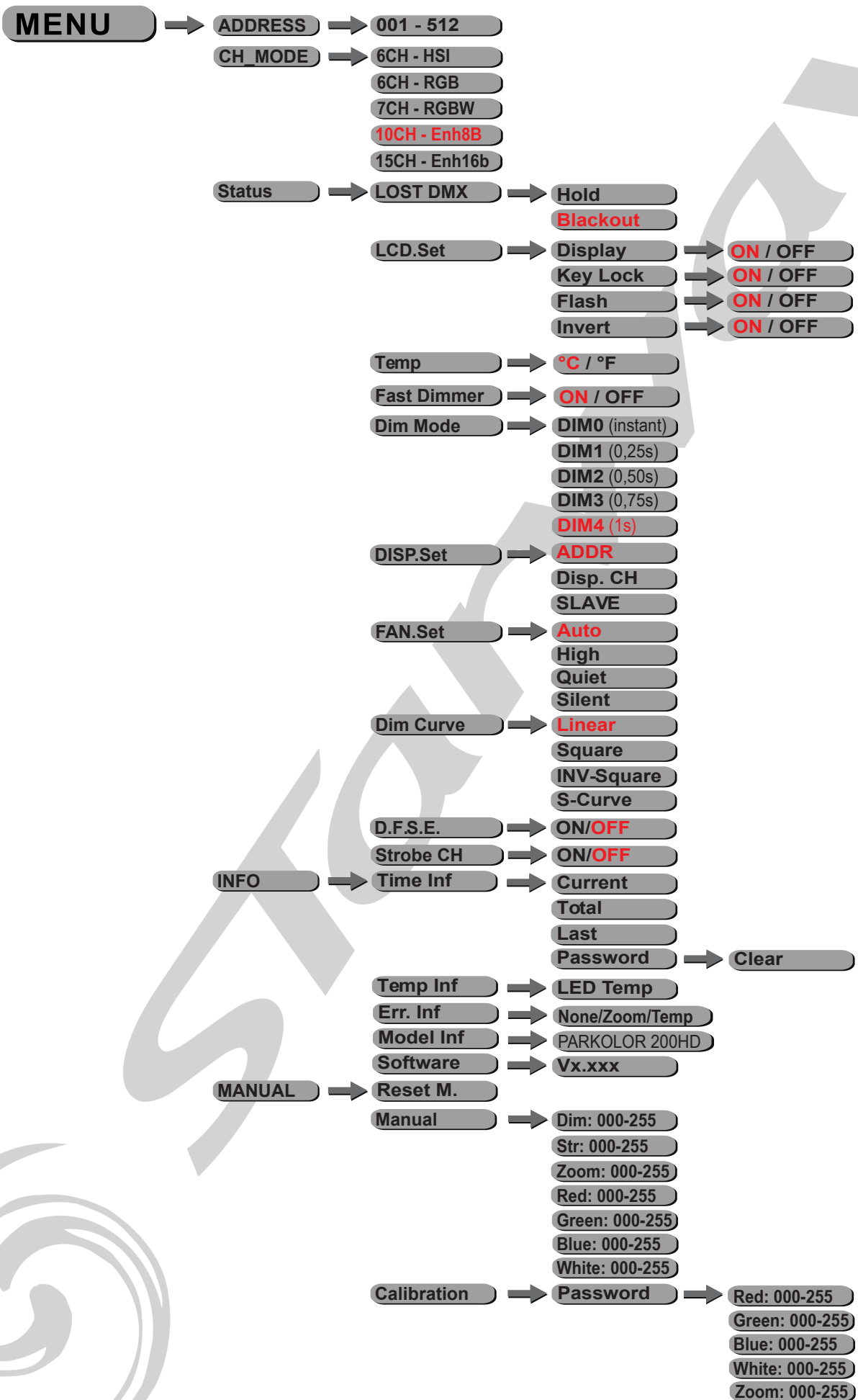
The use of a real DMX cable (120 ohms) makes it possible to avoid untimely loss of information. The use of a terminal plug is strongly recommended. In some cases, the absence of this termination is not a problem. On the other hand, its presence is very strongly recommended in disturbed spaces (Stage, long line length, TV studio, etc.). Its value is usually 120 Ohms. The cap is a male XLR socket in which is soldered, a resistance of 120 Ohms  $\frac{1}{4}$  of W, between the pins 2 and 3 of the XLRs.

*The cap prevents the reflection of transmitted information when using long cable lengths.*



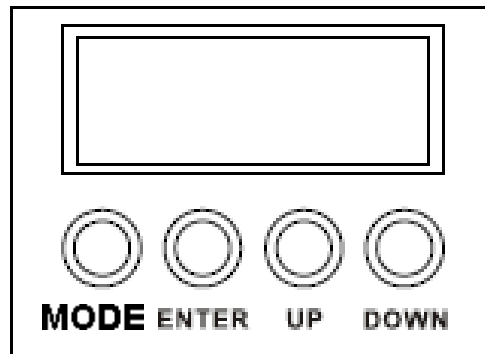


# MENU STRUCTURE



The values shown in **RED** are the default values (reloaded after a DFSE)

## DISPLAY



**Mode:** Scroll main menu or exit active submenu.

**Enter:** To enter the menu or confirm the active function or value.

**Up:** To scroll up in the menu or increase the value of the active function.

**Down:** To scroll down in the menu or decrease the value of the active function.

**To unlock ParKolor 200 HD :**  
**Press MODE for 3/5 seconds**  
**To invert the PARKOLOR 200HD LCD**  
**Press UP while the projector is locked**

### ADDRESS :

- Enter the DMX address using the **[UP]** and **[DOWN]** keys then validate using the **[ENTER]** key.

### CH MODE :

- Choose the DMX mode (6ch HSI, 6ch RGB, **7ch RGBW**, 10ch Enh 8 Bits, 15ch Enh 16 Bits) using the **[UP]** and **[DOWN]** keys then validate using the **[ENTER]** key.

## MENU STATUS

### LOST DMX :

- Choose one of these two options when losing DMX signal :
  - **[Hold]** : keeps the last value in case of loss of the DMX signal.
  - **[BLACKOUT]** : Blackout when there is no DMX signal.

### LCD.SET :

Enter this sub-menu to determine the behavior of the display

- Enter the **[Display]** sub-menu, select **[ON]** or **[OFF]** to leave the display on or off.
- Enter the **[KEY LOCK]** sub-menu, select **[ON]** or **[OFF]** to lock the keys (password : **UP, DOWN, UP, DOWN, ENTER**).
- Enter the **[FLASH]** sub-menu, select **[ON]** or **[OFF]** to enable or disable the display flash function when there is no DMX signal.
- Enter the **[Invert]** sub-menu, select **[ON]** or **[OFF]** to reverse the display direction.

## TEMP :

- Choose temperature unit **[CELSIUS]** or **[FAHRENHEIT]**.

## FAST DIMMER

Enter this sub-menu to bypass **[DIM Mode]** in case of rapid channel change from Dimmer to O.

- Choose **[ON]** or **[OFF]** to change dimmer behavior.

## DIM MODE

Enter this sub-menu to set the speed of the Dimmer.

- Choisir **[DIM0]** for instant dimmer, **[DIM1]** for a 0,25 second dimmer speed, **[DIM2]** for a 0,5 second dimmer speed, **[DIM3]** for a 0,75 second dimmer speed, or **[DIM4]** for a 1 second dimmer speed.

## DISP.Set :

Enter this sub-menu to define the display mode

- **[ADDR]** to display the DMX adress.
- **[Disp.CH]** to display the DMX values.
- **[Slave]** to switch the PARKOLOR 200 HD to slave mode.

## FAN.Set :

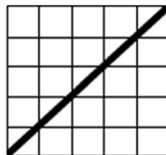
Enter this sub-menu to define the cooling mode

- **[Auto]** fans in automatic mode
- **[High]** fans in forced operation mode at 100%
- **[Quiet]** fans in silent mode
- **[Silent]** fans OFF

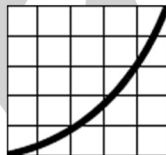
## DIM CURVE

Enter this sub-menu to define the Dimmer curve.

- **[Linear]** - The increase in light intensity is linear as the DMX value increases.
- **[Square]** - Light intensity control is finer at low levels and coarser at high levels.
- **[Inv-Square]** - Light intensity control is coarser at low levels and finer at high levels.
- **[S-Curve]** - Light intensity control is finer at low and high levels and coarser at medium levels.



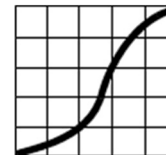
Linear Curve



Square Curve



Inv-Square Curve



S Curve

## DFSE :

- Enter this sub-menu to reset the device to factory default.  
(Reload the values shown in **red** in the menu structure)

## STROBE CH :

Enter this sub-menu to select the behavior of the strobe channel:

- **[ON]** - LEDs are ON when the strobe channel is at 0.
- **[OFF]** - LEDs are OFF when the strobe channel is at 0.

## INFO

**[Time.Info]** - Usage Time

- **[Current]** : Display of usage time (in hours) since last power-on.
- **[TotalTime]** : Display of usage time (in hours).
- **[Last]** : Display of the time of use (in hours) since the last time reset.
- **[PASSWORD]** : To access the usage time reset, you must enter a PIN code: 050 to reset **[Last]** value.  
**[Clear]** : **[ON]** to reset **[OFF]** to cancel

**[Temp.Info]** - Temperature display

- **[LED temp]** : xxx F or C - LED temperature display

**[Err.Info]** - sensor errors

- **[None]** : No error
- **[Zoom]** : Zoom Sensor error
- **[Temp]** : LED temperature sensor error

**[Modellnf]** - Displaying the projector model **[ParKolor 200 HD]**

**[Software]** - Firmware version display **[Vx.xxx]**

## MANUAL :

**[Reset.M]** - Enter this sub-menu to reset the Zoom.

**[ManCtrl]** - Manual control

Allows you to create a luminous state. Adjust the following parameters to create a state.

Validate with **[Enter]** each parameter.

- **[Dimmer]** : from 000 to 255 adjust overall Intensity.
- **[Strobe]** : from 000 to 255 adjust the Strobe.
- **[Zoom]** : from 000 to 255 adjust the Zoom.
- **[Red]** : from 000 to 255 adjust the red Intensity.
- **[Green]** : from 000 to 255 adjust the green Intensity.
- **[Blue]** : from 000 to 255 adjust the blue Intensity.
- **[White]** : from 000 to 255 adjust the white Intensity.

**[Calibrate]**

Sub-menu allowing to recalibrate the various parameters of the ParKolor 200 HD.

To access this menu, you must enter the PIN code to unlock this function.

**Pin Code : 050**

This gives access to the various parameters.

# DMX MAP

## RGB (6 Ch)

Channel	Value	Function	Instant / Fade	Default Value	
1	000-255	Red	F	255	
2	000-255	Green	F	255	
3	000-255	Blue	F	255	
4	000-255	Zoom from 8° to 44.5°	F	128	
5	000-255	Macro	I	0	
6	<b>Control</b>		I	80	
	000-010	Dim Mode (Follow Menu)			Hold value for 3 seconds
	011-020	Dim0			
	021-030	Dim1			
	031-040	Dim2			
	041-050	Dim3			
	051-060	Dim4			
	61-100	Idle			
	101-110	Fan Silent			
	111-120	Fan Quiet			
	121-130	Fan Auto			
	131-140	Fan High			
	141-150	Fast Dimmer OFF			
	151-160	Fast Dimmer ON			
161-200	Idle				
201-255	Zoom Reset				

## HSI (6 Ch)

Channel	Value	Function	Instant / Fade	Default Value	
1	000-255	Hue	F	255	
2	000-255	Saturation	F	255	
3	000-255	Intensity	F	0	
4	000-255	Zoom from 8° to 44.5°	F	128	
5	000-255	Macro	I	0	
6	<b>Control</b>		I	80	
	000-010	Dim Mode (Follow Menu)			Hold value for 3 seconds
	011-020	Dim0			
	021-030	Dim1			
	031-040	Dim2			
	041-050	Dim3			
	051-060	Dim4			
	61-100	Idle			
	101-110	Fan Silent			
	111-120	Fan Quiet			
	121-130	Fan Auto			
	131-140	Fan High			
	141-150	Fast Dimmer OFF			
	151-160	Fast Dimmer ON			
	161-200	Idle			
201-255	Zoom Reset				

### RGBW (7 Ch)

Channel	Value	Function	Instant / Fade	Default Value
1	000-255	Dimmer	F	0
2	<b>Strobe</b>		I	3/8
	000-005	LED OFF (check page 12)		
	006-010	LED ON (check page 12)		
	011-090	Strobe from slow to fast		
	091-170	Random strobe from slow to fast		
	171-255	Synchronized random strobe on all PARKOLOR 200 HD From slow to fast		
3	000-255	Red	F	255
4	000-255	Green	F	255
5	000-255	Blue	F	255
6	000-255	White	F	255
7	000-255	Zoom from 8° to 44.5°	F	128

## MODE ENHANCED 8bits (10 Ch)

Channel	Value	Function	Instant / Fade	Default Value
1	000-255	Dimmer	F	0
2	<b>Strobe</b>		I	3/8
	000-005	LED OFF (check page 12)		
	006-010	LED ON (check page 12)		
	011-090	Strobe from slow to fast		
	091-170	Random strobe from slow to fast		
	171-255	Synchronized random strobe on all PARKOLOR 200 HD From slow to fast		
3	000-255	Zoom from 8° to 44.5°	F	128
4	000-255	Red	F	255
5	000-255	Green	F	255
6	000-255	Blue	F	255
7	000-255	White	F	255
8	000-255	Virtual Color Wheel (see details on page 17)	I	0
9	<b>Color Time / Color Speed</b>		F	0
	000-255	If value of channel 8 between 12 and 250		
		Fade from 0 to 10 seconds		
	000-255	If value of channel 8 between 251 and 255		
Rotation speed from slow to fast				
10	<b>Control</b>		I	80
	000-010	Dim Mode (Follow Menu)		
	011-020	Dim0		
	021-030	Dim1		
	031-040	Dim2		
	041-050	Dim3		
	051-060	Dim4		
	61-100	Idle		
	101-110	Fan Silent		
	111-120	Fan Quiet		
	121-130	Fan Auto		
	131-140	Fan High		
	141-150	Fast Dimmer OFF		
	151-160	Fast Dimmer ON		
	161-200	Idle		
201-255	Zoom Reset			



## MODE ENHANCED 16bits (15 Ch)

Channel	Value	Function	Instant / Fade	Default Value	
1	000-65535	Dimmer	F	0	
2		Dimmer Fine			
3	Strobe		I	3/8	
	000-005	LED OFF (check page 12)			
	006-010	LED ON (check page 12)			
	011-090	Strobe from slow to fast			
	091-170	Random strobe from slow to fast			
	171-255	Synchronized random strobe on all PARKOLOR 200 HD From slow to fast			
4	000-255	Zoom from 8° to 44.5°	F	128	
5	000-65535	Red	F	255	
6		Red Fine			
7	000-65535	Green	F	255	
8		Green Fine			
9	000-65535	Blue	F	255	
10		Blue Fine			
11	000-65535	White	F	255	
12		White Fine			
13	000-255	Virtual Color Wheel (see details on page 17)	I	0	
14	Color Time / Color Speed		F	0	
	000-255	If value of channel 13 between 12 and 250			
		Fade from 0 to 10 seconds			
	000-255	If value of channel 13 between 251 and 255			
Rotation speed from slow to fast					
15	Contrôle		I	80	
	000-010	Dim Mode (Follow Menu)			Hold value for 3 seconds
	011-020	Dim0			
	021-030	Dim1			
	031-040	Dim2			
	041-050	Dim3			
	051-060	Dim4			
	61-100	Idle			
	101-110	Fan Silent			
	111-120	Fan Quiet			
	121-130	Fan Auto			
	131-140	Fan High			
	141-150	Fast Dimmer OFF			
	151-160	Fast Dimmer ON			
161-200	Idle				
201-255	Zoom Reset				

**CHANNEL 8 OR 13 TABLE**

DMX	Color
0	RGBW MAX
1	White 10000° K
2	White 8000° K
3	White 6500° K
4	White 5600° K
5	White 5000° K
6	White 4500° K
7	White 4000° K
8	White 3200° K
9	White 3000° K
10	White 2700° K
11	Red
↕	
51	Yellow
↕	
91	Green
↕	
171	Blue
↕	
211	Magenta
↕	
250	Red
251	Idle
252	Virtual color wheel rotation >>
253	
254	Virtual color wheel rotation <<
255	



**STARWAY**

22 Rue Edouard Buffard

77144 Montevrain

France

Tél. : +33 (0)820 230 007

Fax : +33 (0)1 46 15 47 16

